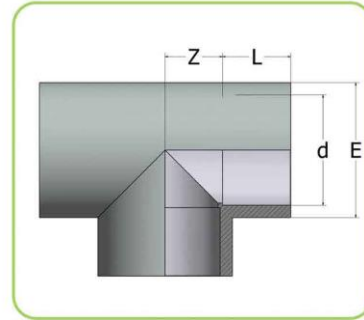


UPVC TEE DATA SHEET



GENERAL SPECIFICATION :

- Operation pressure 16bar.
- Recommended Temperature 20C°.
- Available sizes from 1" up to 8".
- Types (threaded – glue) (inch/mm).

CODE	d	L	Z	E	PN
TEE1501	20	16	11	27.5	16
TEE1502	25	19	14	33.5	16
TEE1503	32	22	17	42	16
TEE1504	40	26	21	51	16
TEE1505	50	31	26	61	16
TEE1506	63	38	33	75	16
TEE1507	75	44	39	89	16
TEE1508	90	51	47	106	16
TEE1509	110	57	57	129.5	16
TEE1510	125	69	64	145	16
TEE1511	140	76	72	162.5	16
TEE1512	160	86	81	188	16
TEE1513	200	106	102	232	10
TEE1514	225	119	114	258	10
TEE1515	250	131.5	127	286	10
TEE1516	280	146	142	319	10
TEE1517	315	162	159	360	10
TEE1518	355	184	294	386	6
TEE1519	400	206	280	432	6

- The above product meets the requirements of the European & Egyptian specifications (DIN 8063 - ISO 1452-3 – ES 848-2001).

Head Office.

15 Nablus St, from Shehab St,
Floor 4, App 10, Mohandessin, A.R.E
T. +202 33024067 F. +202 33423085

Factory.

2nd Industrial Zone Plot BG/9,
Sadat City, Al Monofia Governorate A.R.E
T. +2048 2656307 M. +201000443663

info@migagreen.com
migagreenplast

