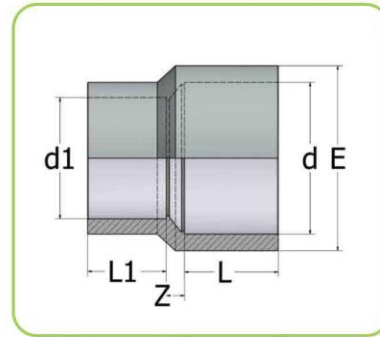
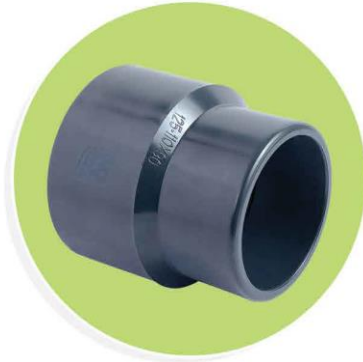


UPVC REDUCER DATA SHEET



GENERAL SPECIFICATION :

- Operation pressure 16bar.
- Recommended Temperature 20C°.
- Available sizes from 1" up to 8".

CODE	dxd1xd2	L	L1	Z	E1	PN
RMF3001	25x32x20	19	16	6	28	16
RMF3002	50x63x25	32	19	19	33	16
RMF3003	50x63x32	31	22	12	41	16
RMF3004	63x75x50	38	31	12.3	60.5	16
RMF3005	75x90x50	44	31	17.5	60.5	16
RMF3006	75x90x63	44	38	11.1	75	16
RMF3007	90x110x50	51	31	28	60.5	16
RMF3008	90x110x63	51	38	21.5	75	16
RMF3009	90x110x75	51	44	15.7	88	16
RMF3010	110x125x50	61	31	34	60.5	16
RMF3011	110x125x63	61	38	27.5	75	16
RMF3012	110x125x75	61	44	22.8	88	16
RMF3013	110x125x90	61	51	17	106	16
RMF3014	140x160x110	76	61	18	129	16
RMF3015	140x160x125	76	69	8	145	16

- The above product meets the requirements of the European & Egyptian specifications (DIN 8063 - ISO 1452-3 – ES 848-2001).

Head Office.

15 Nablus St, from Shehab St,
Floor 4, App 10, Mohandessin, A.R.E
T. +202 33024067 F. +202 33423085

Factory.

2nd Industrial Zone Plot BG/9,
Sadat City, Al Monofia Governorate A.R.E
T. +2048 2656307 M. +201000443663

info@migagreen.com
migagreenplast

