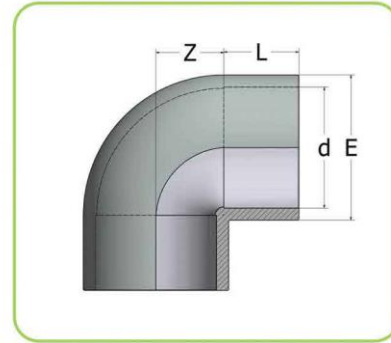


UPVC ELBOW DATA SHEET



GENERAL SPECIFICATION :

- Operation pressure 16bar.
- Recommended Temperature 20C°.
- Available sizes from 1" up to 8".
- Types (threaded – glue) (inch/mm).

CODE	d	L	Z	E	PN
ELB1001	20	16	11	26.5	16
ELB1002	25	19	14	32.5	16
ELB1003	32	22	17	41	16
ELB1004	40	26	23	50	16
ELB1005	50	31	28	60	16
ELB1006	63	38	34	75	16
ELB1007	75	44	40	89	16
ELB1008	90	51	48	106	16
ELB1009	110	61	58	129	16
ELB1010	125	69	66	145	16
ELB1011	140	76	73	164	16
ELB1012	160	86	81	188	16
ELB1013	200	106	102	232	10
ELB1014	225	119	115	258	10
ELB1015	250	131.5	187.5	286	10
ELB1016	280	146	210	316	10
ELB1017	315	162	239	358	10
ELB1018	355	184	177	393	6
ELB1019	400	206	202	439	6

- The above product meets the requirements of the European & Egyptian specifications (DIN 8063 - ISO 1452-3 – ES 848-2001).

Head Office.

15 Nablus St, from Shehab St,
Floor 4, App 10, Mohandessin, A.R.E
T. +202 33024067 F. +202 33423085

Factory.

2nd Industrial Zone Plot BG/9,
Sadat City, Al Monofia Governorate A.R.E
T. +2048 2656307 M. +201000443663

info@migagreen.com
migagreenplast

