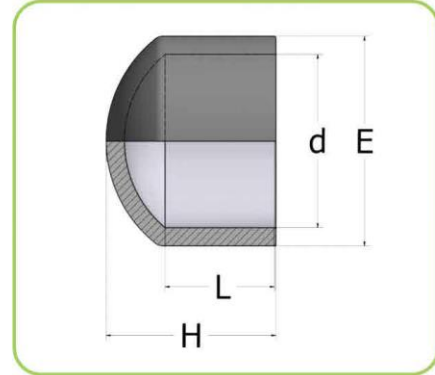


## UPVC CAP DATA SHEET



### GENERAL SPECIFICATION :

- Operation pressure 16bar.
- Recommended Temperature 20C°.
- Available sizes from 1" up to 8".
- Types ( threaded – glue ) ( inch/mm ).

CODE	d	L	H	E	PN
CAP6001	20	16	27	28	16
CAP6002	25	19	31	33	16
CAP6003	32	22	36	41	16
CAP6004	40	28	43	52	16
CAP6005	50	32	49	60.5	16
CAP6006	63	39	57	75	16
CAP6007	75	44	67	89	16
CAP6008	90	51	80	106	16
CAP6009	110	61	95	129	16
CAP6010	125	69	102	145	16
CAP6011	140	77.5	114	161	16
CAP6012	160	86	126	181	16
CAP6013	200	106	145	227	10
CAP6014	225	119	160	254	10
CAP6015	250	131	208	286	10

- The above product meets the requirements of the European & Egyptian specifications (DIN 8063 - ISO 1452-3 – ES 848-2001).

**Head Office.**

15 Nablus St, from Shehab St,  
Floor 4, App 10, Mohandessin, A.R.E  
T. +202 33024067 F. +202 33423085

**Factory.**

2<sup>nd</sup> Industrial Zone Plot BG/9,  
Sadat City, Al Monofia Governorate A.R.E  
T. +2048 2656307 M. +201000443663

info@migagreen.com  
migagreenplast

