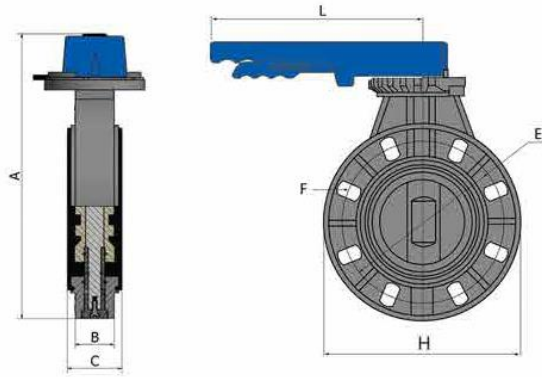


UPVC BUTTERFLY VALVE DATA SHEET



GENERAL SPECIFICATION :

- Operation pressure 10bar.
- Recommended Temperature 20C°.
- Available sizes from 3'' up to 6''.

CODE	D	DN	A	B	C	H	E	F	L	PN
BFV2301	90	83	285	37	45	195	156	20*24	240	10
BFV2302	110	100	325	44	50	225	173	21*28	240	10
BFV2303	125	129	380	51	66	255	189	24*30	310	10
BFV2304	160	148	400	55	70	280	230	25*30	310	10
BFV2305	200	200	425	60	71	298	280	35*31	425	10
BFV2306	225	200	425	60	71	298	280	35*31	425	10

Head Office.

15 Nablus St, from Shehab St,
Floor 4, App 10, Mohandessin, A.R.E
T. +202 33024067 F. +202 33423085

Factory.

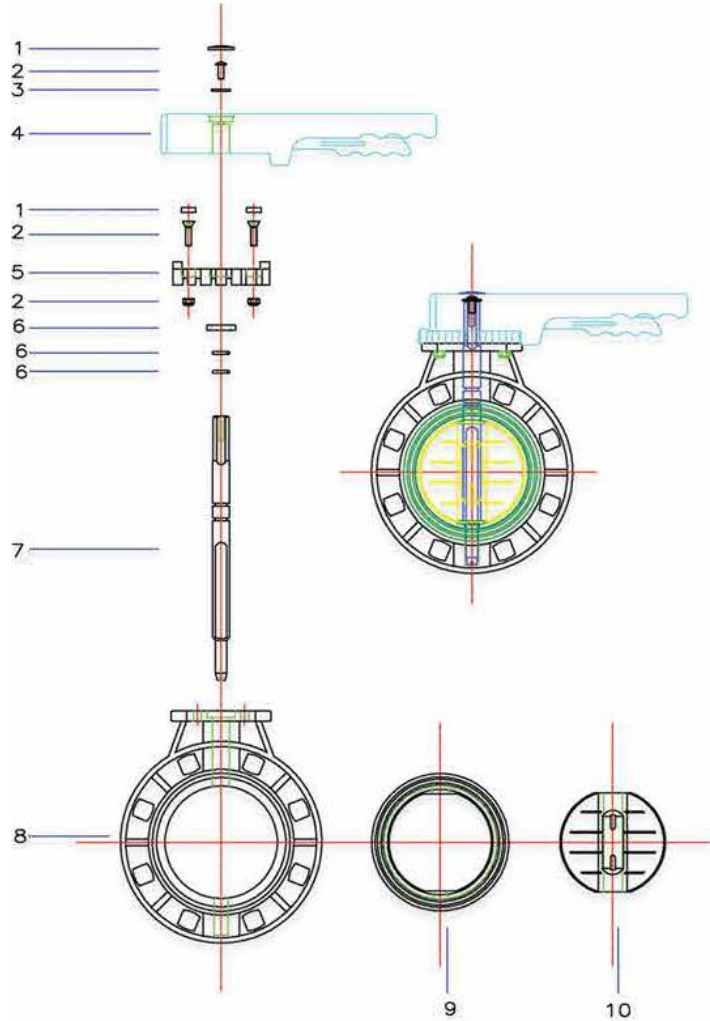
2nd Industrial Zone Plot BG/9,
Sadat City, Al Monofia Governorate A.R.E
T. +2048 2656307 M. +201000443663

info@migagreen.com
migagreenplast



PARTS:

	PART	MATERIAL
1	Protection Cap	ABS
2	Screw/Nut	Stainless Steel
3	Washer	Stainless Steel
4	Handle	ABS
5	Pad	PE-Fiber Glass
6	O-Ring	EPDM
7	Shaft	Transmission Steel
8	Body	PVC
9	Primary Liner	EPDM
10	Disc	PVC



- The above product meets the requirements of the European & Egyptian specifications (DIN 8063 - ISO 1452-3 – ES 848-2001).

Head Office.

15 Nablus St, from Shehab St,
Floor 4, App 10, Mohandessin, A.R.E
T. +202 33024067 F. +202 33423085

Factory.

2nd Industrial Zone Plot BG/9,
Sadat City, Al Monofia Governorate A.R.E
T. +2048 2656307 M. +201000443663

info@migagreen.com
migagreenplast

